

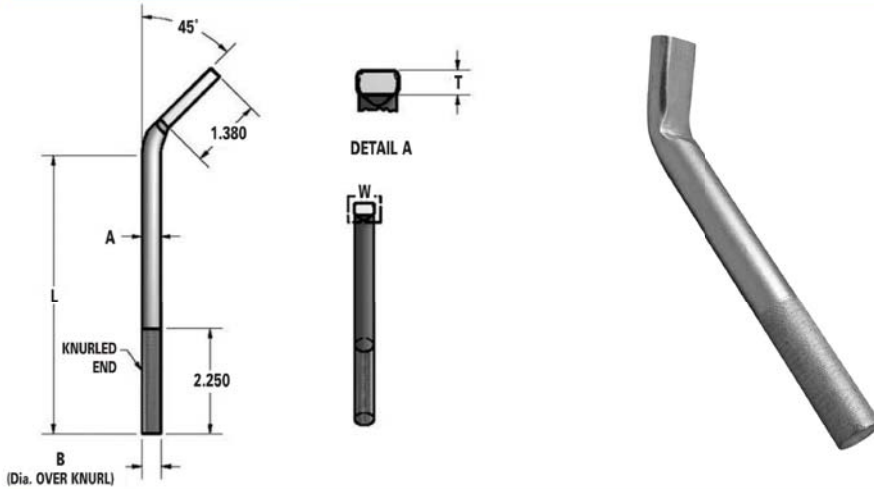
## TYPE SGS

### Features

- Heavy duty steel
- Tin plated
- Knurled mounting tip

### Benefits

- Can be welded to steel beam
- Low resistance ground
- Excellent gripping strength



Catalog Number	Nom. Rod Size	Dimensions - in. (mm)					Electrical Equivalent Copper Conductor Size*
		A	W	B	L	T	
SGS-14	1/4	.250 (6.3)	.280 (7.1)	.26 (6.6)	5.650 (143.5)	.210 (5.3)	#6
SGS-38	3/8	.375 (9.5)	.450 (11.4)	.39 (9.9)	5.650 (143.5)	.265 (6.7)	#3
SGS-916	5/8	.560 (14.2)	.680 (17.3)	.57 (14.5)	5.650 (143.5)	.410 (10.4)	1/0
SGS-34	3/4	.750 (19.0)	.905 (23.0)	.76 (19.3)	5.650 (143.5)	.530 (13.5)	4/0

All wire sizes, unless noted otherwise, are American Wire Gauge (AWG)

\* This is the equivalent rating for continuous service. Larger conductors may be connected using both compression and bolted connectors in potential ground fault applications.